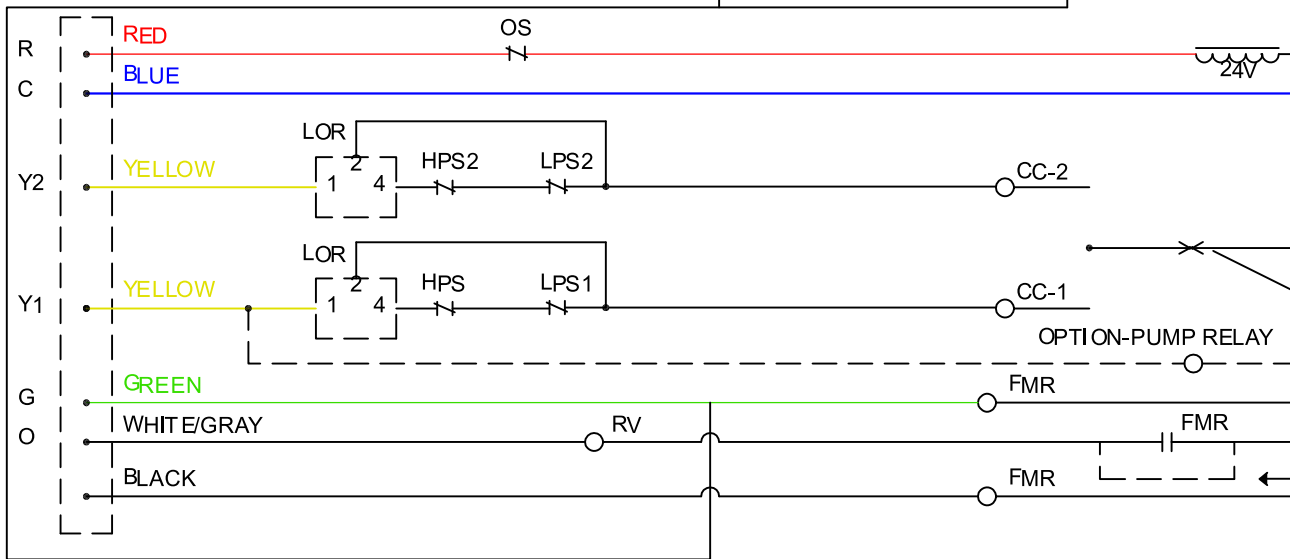
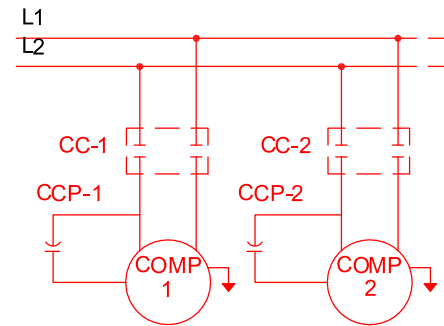
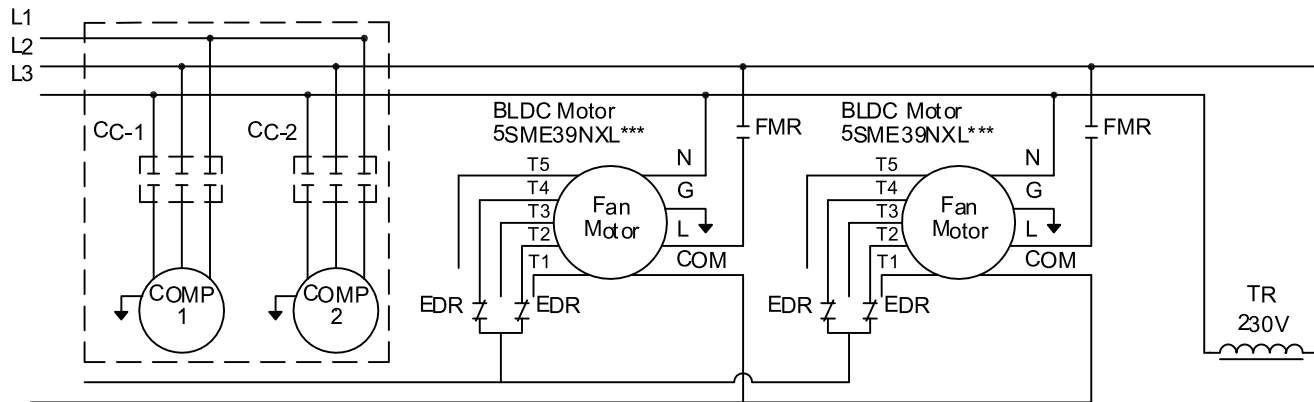


2 COMP 2 CIRCUITS - THREE PHASE

OPTION FOR 1-PHASE UNIT



LEGEND

- COMP - Compressor
- CC - Contactor
- CCP - Compressor Capacitor
- EDR - Enhance Drying Relay
- FMR - Fan Motor Relay

For Flow Switch Option
Break Line as Marked and
Field Install Flow Switch in Series

OPTION TO AVOID OFTEN ACTIVIZATION
OF REVERSING VALVE
(reduces valve's life expectancy)

LEGEND

TR - TRANSFORMER	FMC - FAN MOTOR CAPACITOR
COMP - COMPRESSOR	LPS - LOW PRESSURE SWITCH
CC - CONTACTOR	LOR - LOCK OUT RELAY
CCP - COMPRESSOR CAPACITOR	HPS - HIGH PRESSURE SWITCH
FM - FAN MOTOR	OS - CONDENSATE OVER-FLOW SWITCH
FMR - FAN MOTOR RELAY	RV - REVERSING VALVE

**FAN MOTOR WIRES/SPEEDS

- BLACK - HIGH SPEED
- BLUE - MEDIUM SPEED
- RED - LOW SPEED

**For Non BDLC Motor & When Applicable

NOTES: Compressor & blower motor internally thermally protected. For line voltage wiring use copper conductors only. All wiring to the unit must comply with local electrical codes.