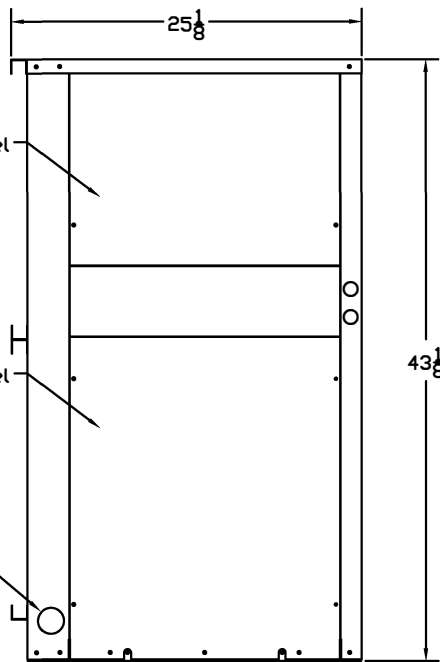


Plan View

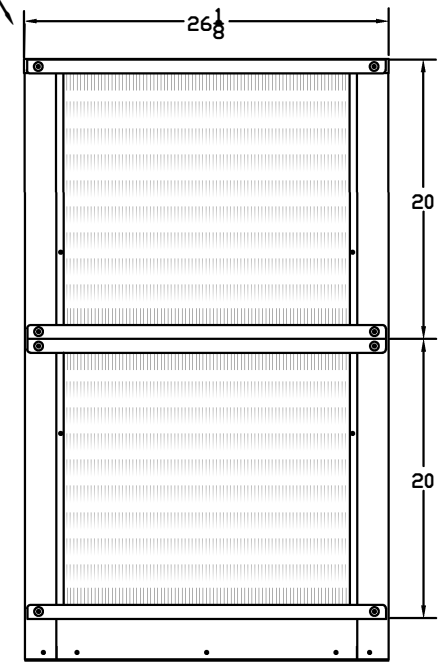


Optional Drain Location

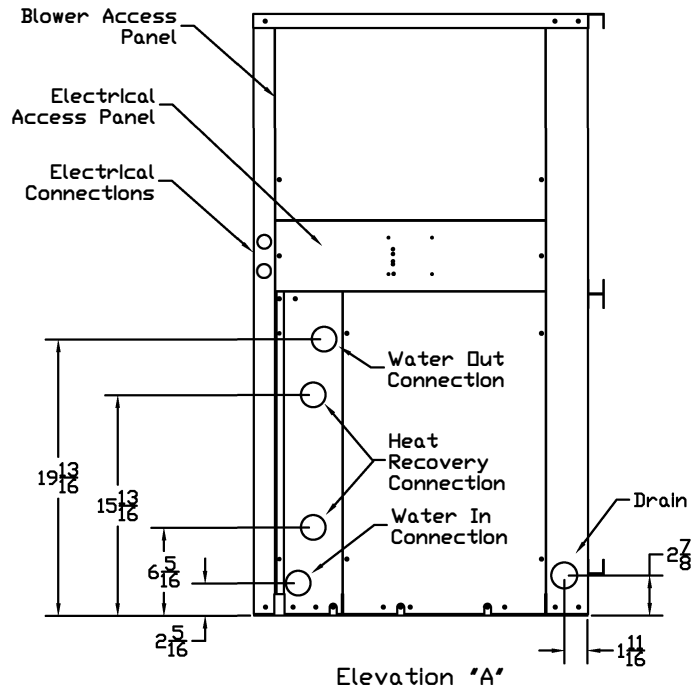


Elevation "C"

(2) 20" x 24" x 1" Filters



Elevation "B"



Elevation "A"



4-6 Ton Vertical

BELAN LLC.
 (786) 766-6600 Dade Broward
 (561) 285-2110 & Palm Beach - Treasure Coast
 info@belanref.com
 http://belanref.com

| | |
|--------|-------------|
| REVI: | |
| DATE: | 05-26-15 |
| SCALE: | None |
| BY: | Allen Diehl |

052615