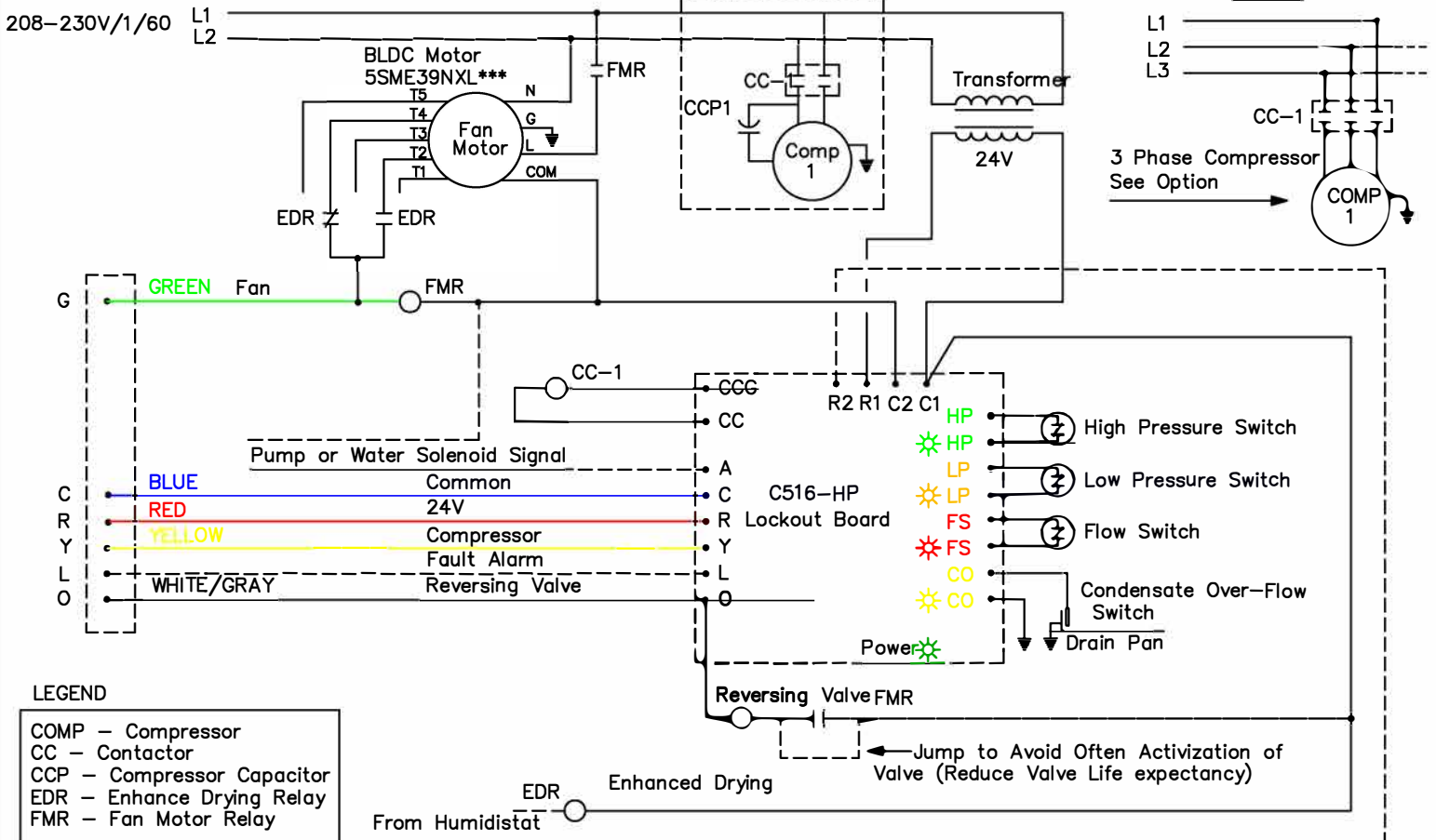


# BFX SERIES WIRING DIAGRAM

## 1 COMP 1 CIRCUIT - SINGLE PHASE

Type E



# BFX SERIES WIRING DIAGRAM

## 1 COMP 1 CIRCUIT - SINGLE PHASE

Type E

